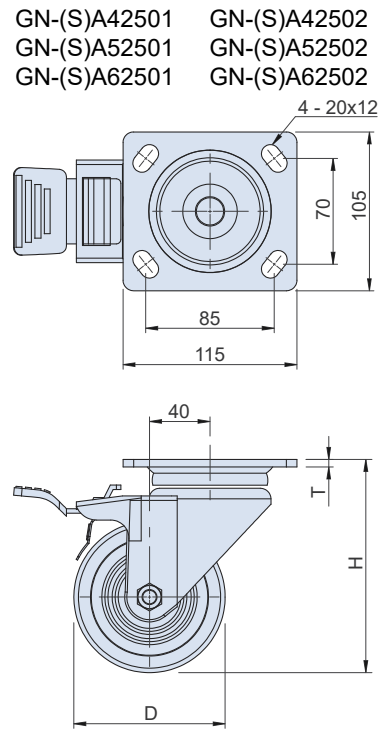


GN-(S)A42501
GN-(S)A52501
GN-(S)A62501



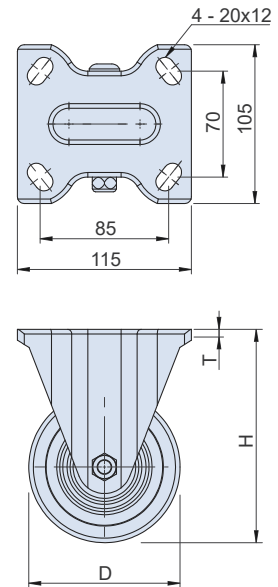
GN-(S)A42502
GN-(S)A52502
GN-(S)A62502



GN-(S)A42503
GN-(S)A52503
GN-(S)A62503



GN-(S)A42503
GN-(S)A52503
GN-(S)A62503



特徵

■ 尼龍輪。採高級尼龍原料(PA6)，具有抗潮溼、耐磨損、耐腐蝕、細屑不易侵入及重量輕等優點。

FEATURES

■ Nylon Wheel(PA6) is light in weight and excellent resistances against moisture, wear, and corrosion.

SPECIFICATION:

Unit:mm

產品編號 Item No.		輪子材質 Wheel Material	型式 Type	尺寸 Dimensions					荷重 Load Capacity(kgf/pc)		重量 Weight (kg)
輪架 Housing SUS304	輪架 Housing 鐵 Steel			H	T	輪徑(D) Wheel Diameter	輪寬 Wheel Width	迴轉半徑 Radius of gyration	輪架 Housing SUS304	輪架 Housing 鐵 Steel	
GN-SA42501	GN-A42501	尼龍 Nylon	培林 Bearing	143	5	101(4")	50	95	350	300	1.61
GN-SA42502	GN-A42502				3			135			1.72
GN-SA42503	GN-A42503										0.99
GN-SA52501	GN-A52501			167	5	127(5")		105			1.78
GN-SA52502	GN-A52502				3			135			1.88
GN-SA52503	GN-A52503										1.15
GN-SA62501	GN-A62501			191	5	151(6")		120			1.96
GN-SA62502	GN-A62502				3			120			2.06
GN-SA62503	GN-A62503										1.34